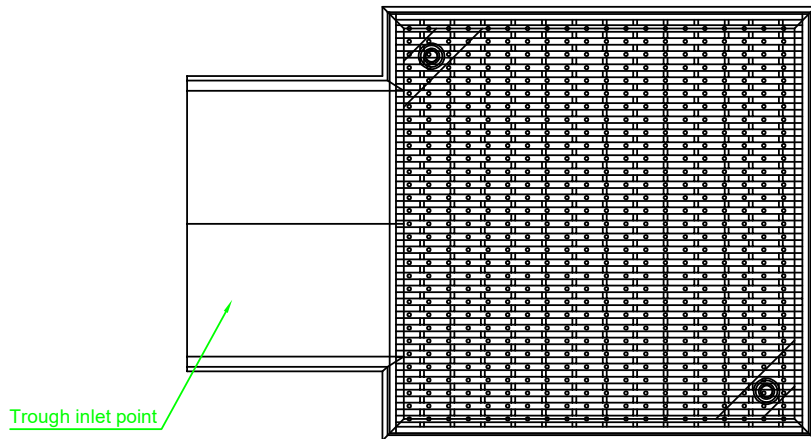
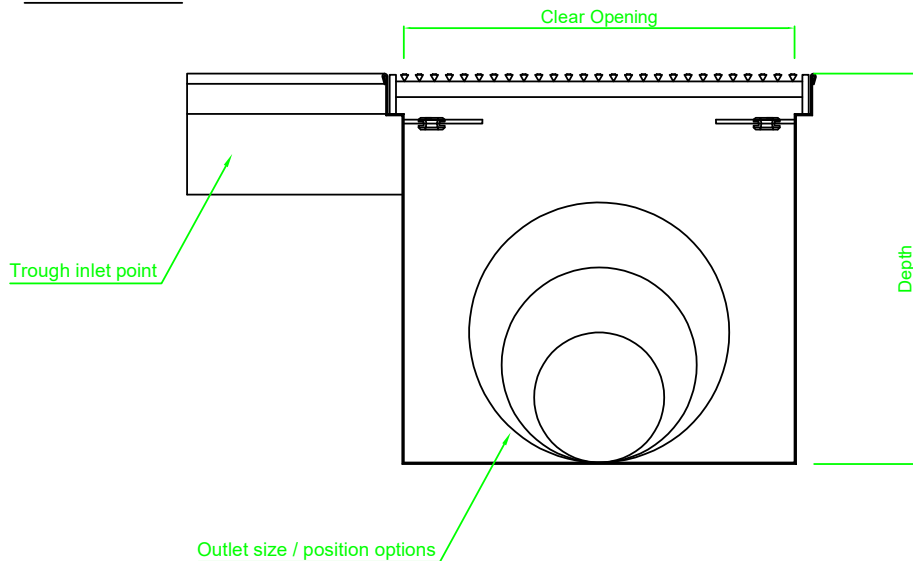


CLICK DRAIN[®] "Click Sump" by Paige Stainless

Plan View



Section View



- *316/304 Grade
- *Slip resist
AS/NZS 4586:2013 Appendix D.
- *Load class A,B,C,D-
To AS/NZS AS3996:2006
- *Bike Safe -AS 3996 (clause 3.3.6)
- *Easy Site install
- *Easy Lock Feature
- *Heelguard
- *All fittings stainless steel
- *Outlet position / size to suit each job, multiple available
- *Multiple trough inlet points available
- *Inlet points match to 100 or 200 series channel
- *See size options below

Clear opening sizes available:

300 x 300 x 300 Depth
450 x 450 x 450 Depth
600 x 600 x 600 Depth

More sizes available on request

Aust Patent No 2008202375

ASSDA
AUSTRALIAN STAINLESS STEEL
DEVELOPMENT ASSOCIATION

