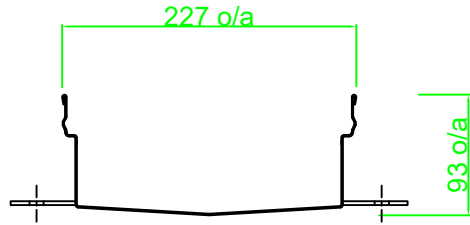
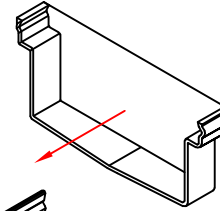


# CLICK DRAIN<sup>®</sup> "200 Series" by Paige Stainless



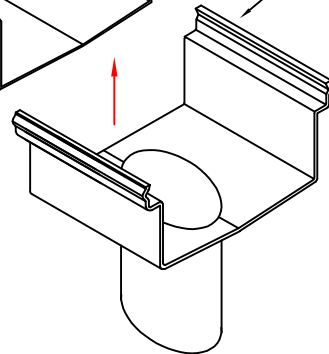
Stainless  
Easy Ends



Stainless  
Easy Joiner

- \*316/304 Grade
- \*Slip resist  
AS/NZS 4586:2013 Appendix D.
- \*Load class A,B,C,D-  
To AS/NZS AS3996:2006
- \*Bike Safe -AS 3996 (clause 3.3.6)
- \*Easy Site install with  
Mitres/Ends/Outlets
- \*Easy Lock Feature
- \*Heelguard
- \*All fittings stainless steel

Stainless  
Easy Outlets



Aust Patent No 2008202375

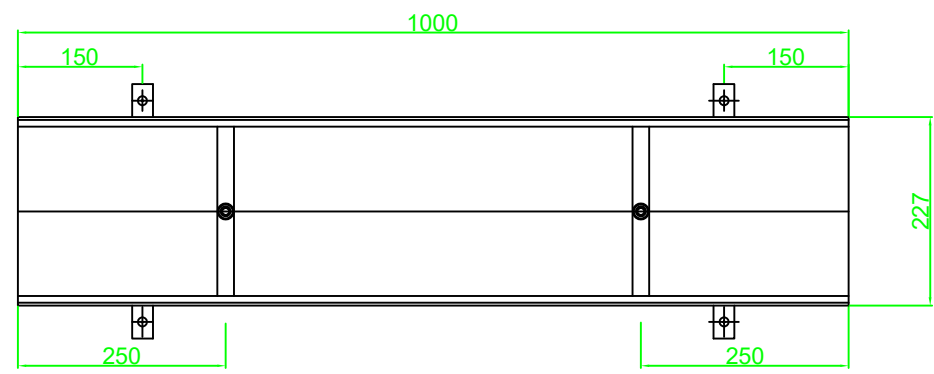
ASSDA  
AUSTRALIAN STAINLESS STEEL  
DEVELOPMENT ASSOCIATION



WaterMark<sup>®</sup>  
License NO. 21037

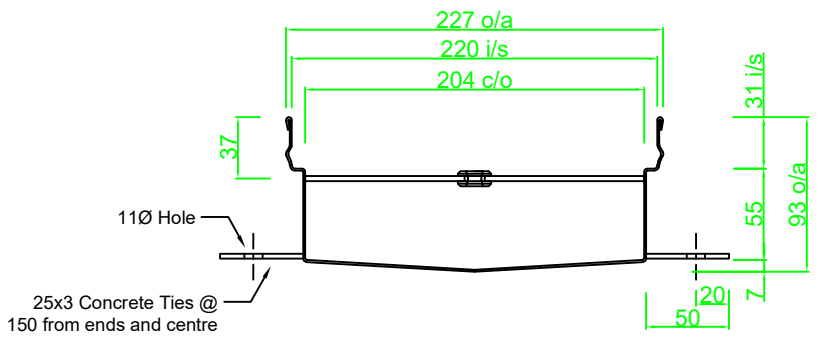
# CLICK DRAIN<sup>®</sup> "200 Series" by Paige Stainless

Plan View



Open Both Ends

Section View

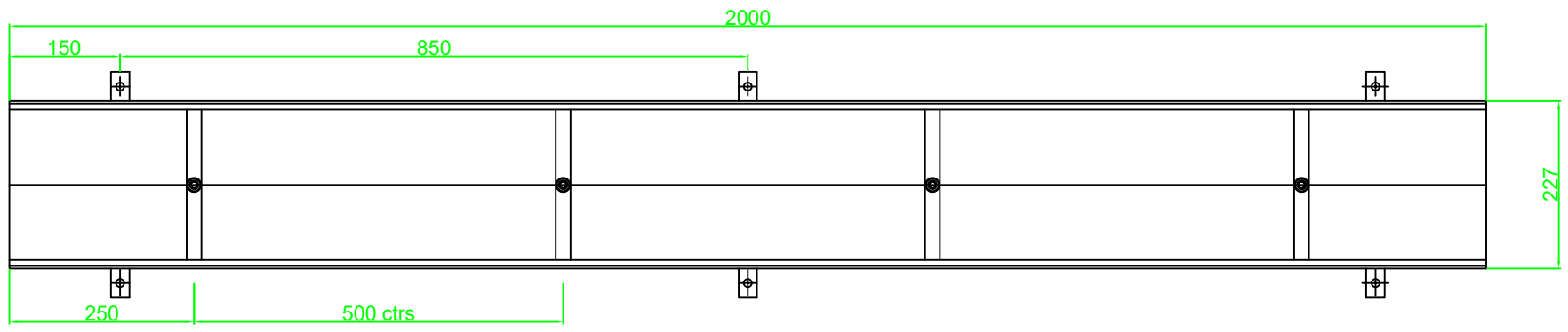


Aust Patent No 2008202375



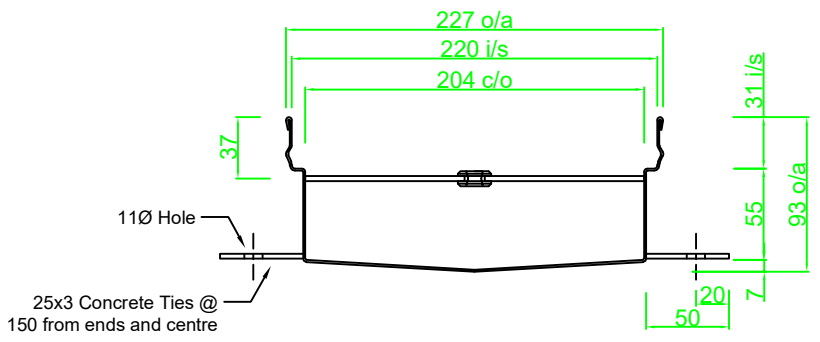
# CLICK DRAIN<sup>®</sup> "200 Series" by Paige Stainless

Plan View



Open Both Ends

Section View

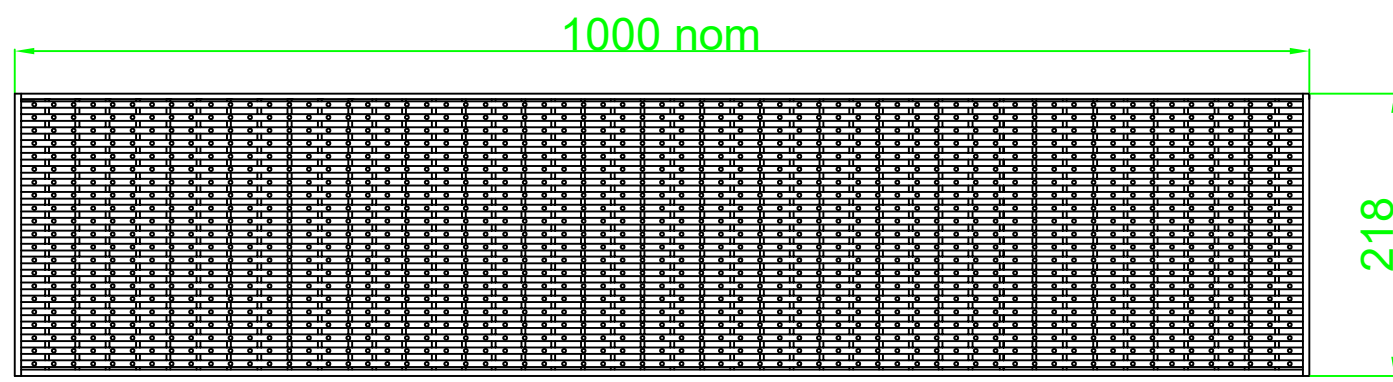


Aust Patent No 2008202375



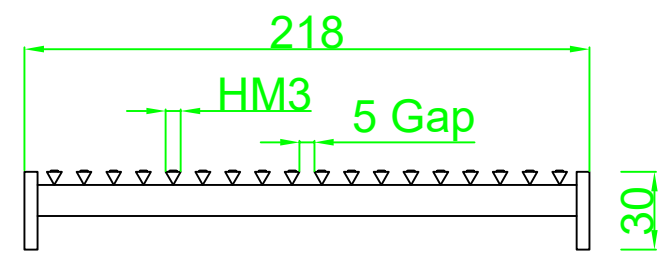
# CLICK DRAIN<sup>®</sup> "200 Series" by Paige Stainless

Plan View



*Heelguard Grating option  
Suitable for Class A, B, C, D*

Section View



HM3 wedgewire screen meets requirements of AS3996:2006 depending on load requirement. HM3 wedgewire screen meets Slip Resistance requirements of AS/NZS 4586:2013 Appendix D.

Aust Patent No 2008202375

