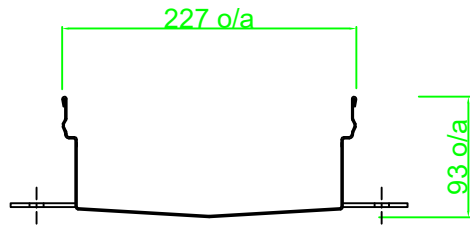
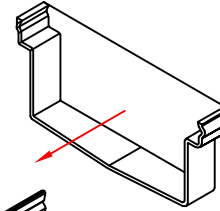


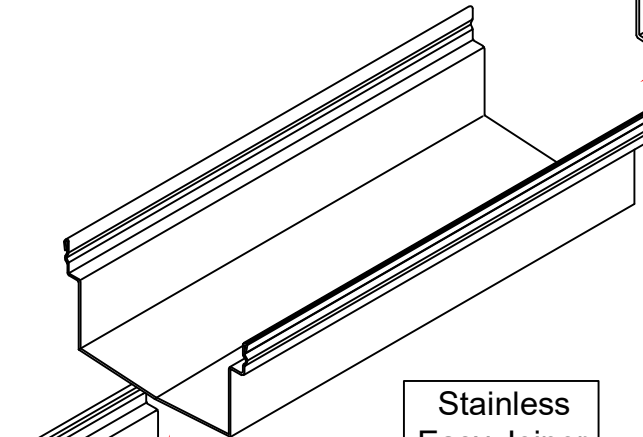
CLICK DRAIN[®] "200 Series" by Paige Stainless



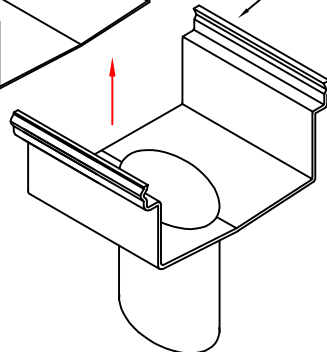
Stainless
Easy Ends



Stainless
Easy Joiner



Stainless
Easy Outlets



- *316/304 Grade
- *R11/R12 Slip resist
AS/NZS 4586:2013 Appendix D.
- *Load class A,B,C,D-
To AS/NZS AS3996:2006
- *Bike Safe -AS 3996 (clause 3.3.6)
- *Easy Site install with
Mitres/Ends/Outlets
- *Easy Lock Feature
- *Heelguard
- *All fittings stainless steel

Aust Patent No 2008202375

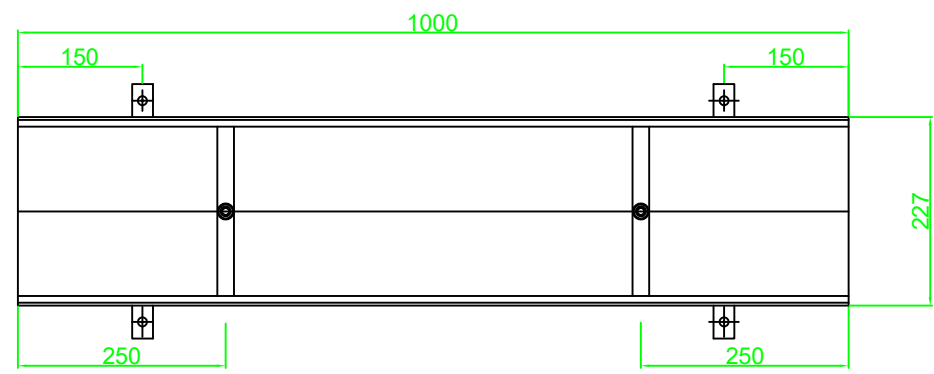
ASSDA
AUSTRALIAN STAINLESS STEEL
DEVELOPMENT ASSOCIATION



WaterMark[®]
License NO. 21037

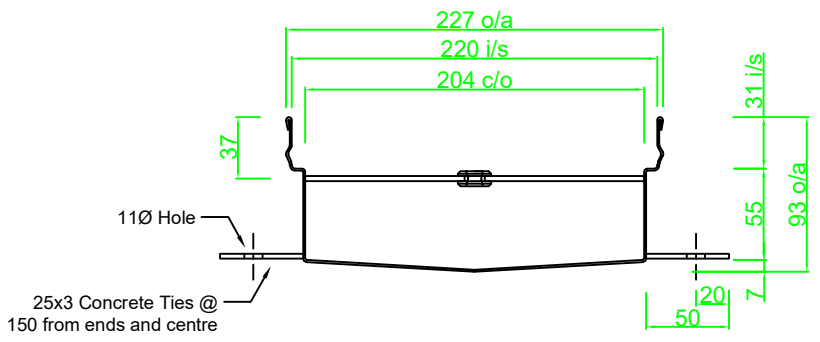
CLICK DRAIN[®] "200 Series" by Paige Stainless

Plan View



Open Both Ends

Section View

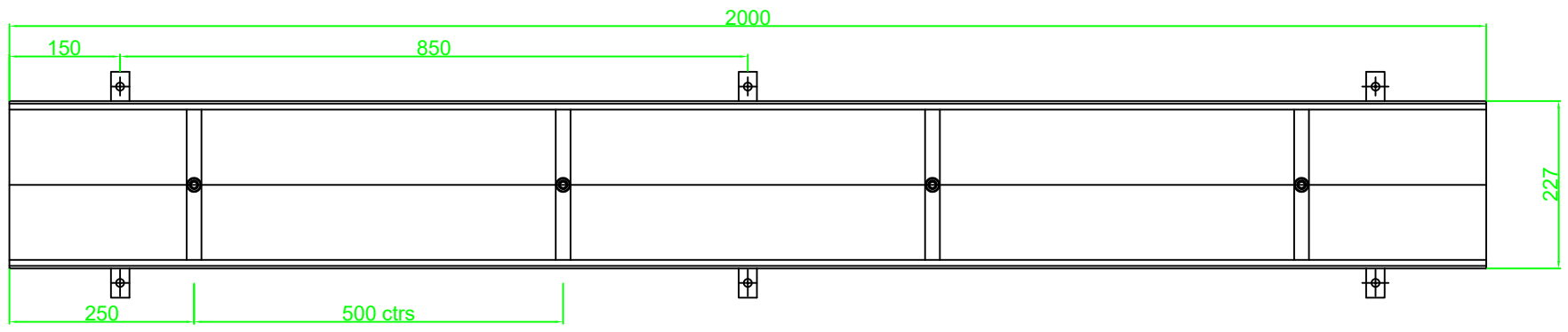


Aust Patent No 2008202375



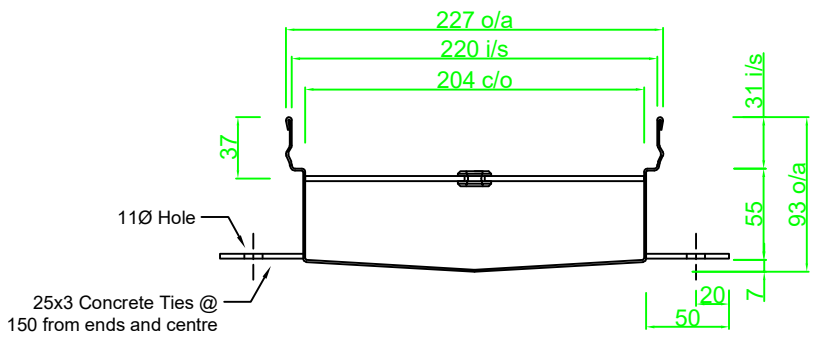
CLICK DRAIN[®] "200 Series" by Paige Stainless

Plan View



Open Both Ends

Section View

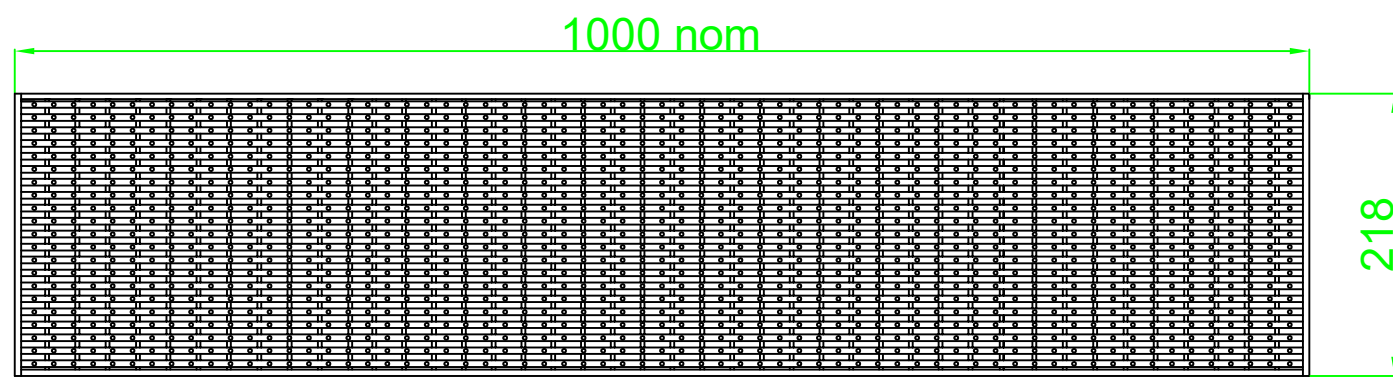


Aust Patent No 2008202375



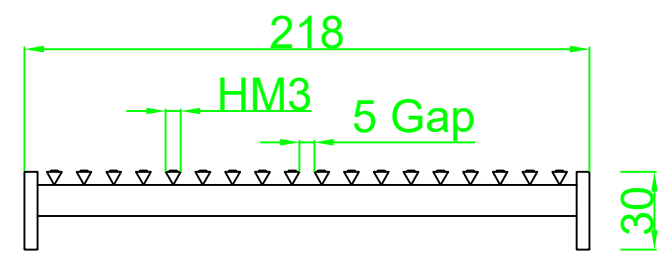
CLICK DRAIN[®] "200 Series" by Paige Stainless

Plan View



*Heelguard Grating option
Suitable for Class A, B, C, D*

Section View



HM3 wedgewire screen meets requirements of AS3996:2006 depending on load requirement. HM3 wedgewire screen meets Slip Resistance requirements of AS/NZS 4586:2013 Appendix D.

Aust Patent No 2008202375

