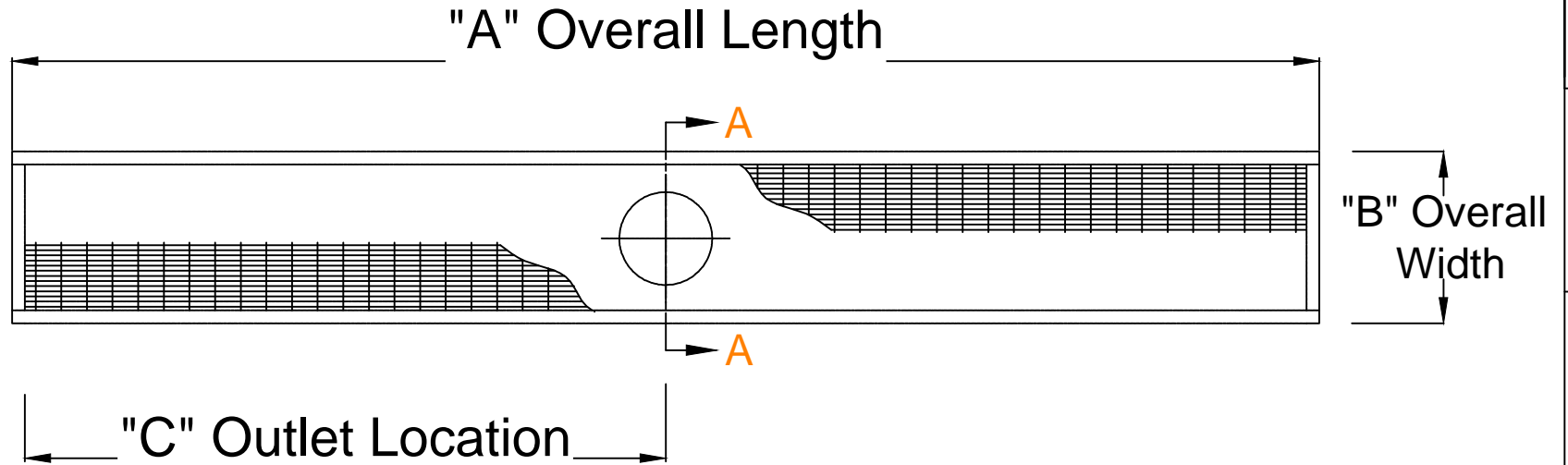
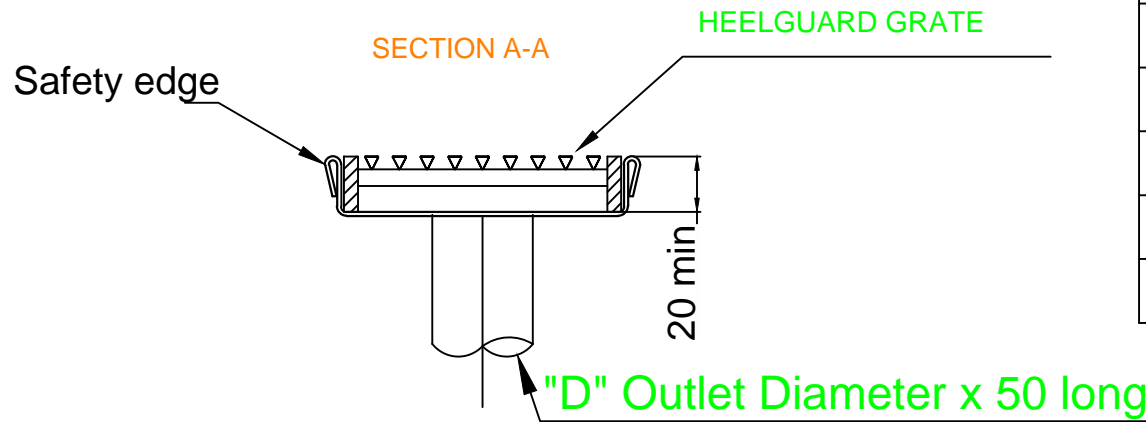


Paige Stainless Heelguard - 'Bathroom trough and grate'.



FUNCTIONAL DIMENSIONS			
"A"	"B"	"C"	"D"



THIRD ANGLE PROJECTION

CONTROLLED DOCUMENT
NO UNAUTHORISED COPYING

27 CESSNA DRIVE
CARBOLTURE QLD. 4510.
PH. 0754 991 511
FAX: 0754 990 741
P.O. BOX 155
BURBENGARY 4505

Paige Stainless Fabrications.
PAIGE STAINLESS PTY. LTD.
ABN: 75 066 083 510