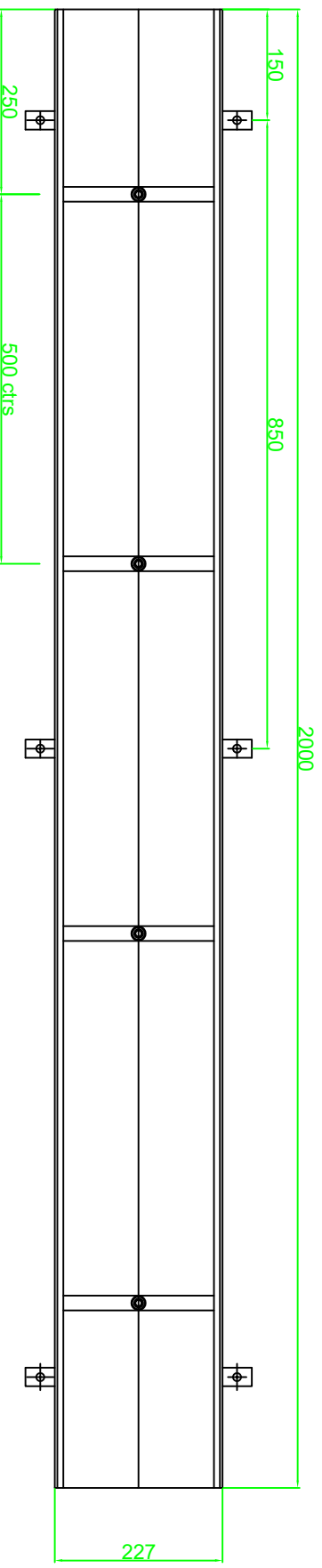


Plan View

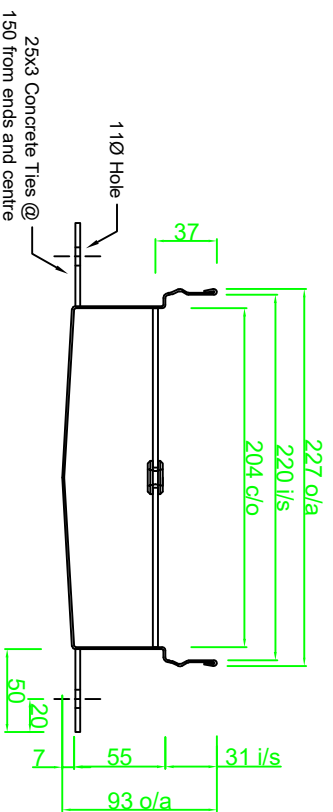
CLICK DRAIN[®]

"200 Series"

by Paige Stainless



Section View



Aust Patent No 2008202375

