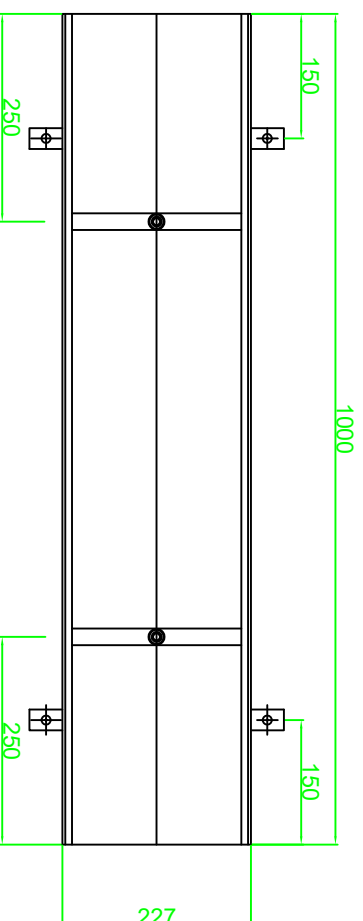


Plan View

CLICK DRAIN[®]

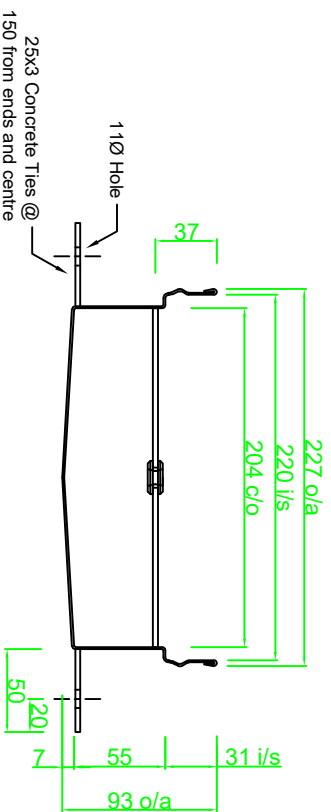
"200 Series"

by Paige Stainless



Open Both Ends

Section View



Aust Patent No 2008202375

